



**TECHNICAL INSTRUCTIONS FOR WOOD STOVES
ABC QUADRO AND ABC ROLO**

Dear customers,

We want to thank you for your trust and congratulate you, because this purchase makes you a member of a large family of satisfied customers of our company "**ABC PROIZVOD**".

We expect that you will soon find out that you have chosen a high-quality and cost-effective product, which is the result of a long tradition of our company in the production of boilers, stoves and fireplaces for central heating.

In case of any doubts, dilemmas or questions, do not hesitate to contact us, regardless of the place and the seller you purchased our product from, and we will help you with professional advice and technical support.

Sincerely yours,

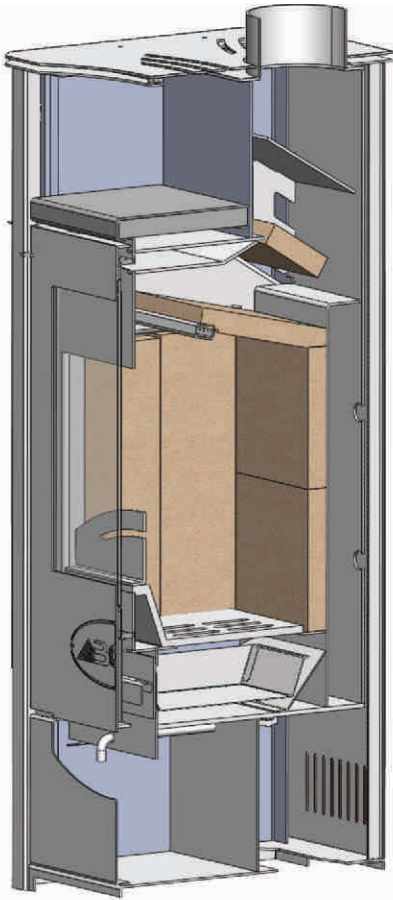


Before using the stoves ABC QUADRO and ABC ROLO, read this manual carefully, as it can provide you important information regarding the safe installation, usage and maintenance of these devices.

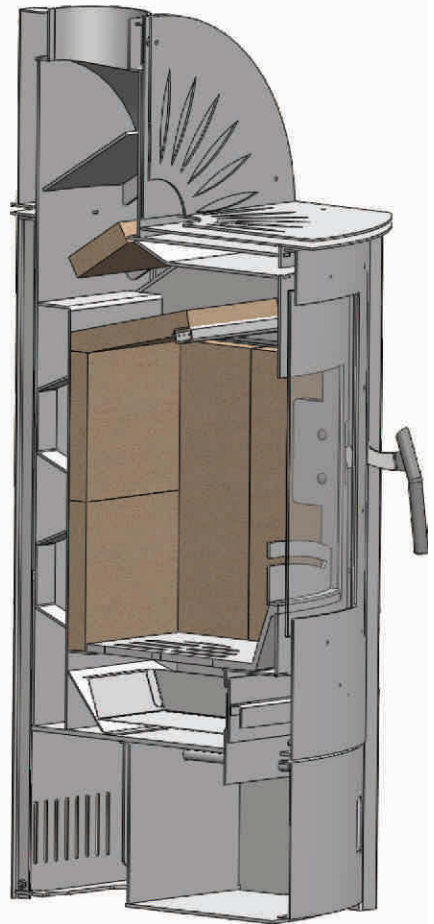
CONTENT:

1. Technical characteristics of wood stoves.....	3
2. Safety instructions.....	4
3. Instalation.....	5
4. Fuel type selection.....	6
5.1. Primary air.....	6
5.2. Secondary air.....	6
6. Regulation of combustion air.....	6
7. Cleaning and maintenance.....	7
8.Appendix.....	8

**ABC PROIZVOD d.o.o. Srbija – 31000 Užice – Miloša Obrenovića 2
+381 (0) 31 514- 502, 514-501; e-mail: office@ abcproizvod.rs
www.abcproizvod.rs**



Section of ABC QUADRO stove



Section of ABC ROLO stove

1. TECHNICAL CHARACTERISTICS OF QUADRO AND ROLO WOOD STOVES

CHARACTERISTICS	MEASUREMENT UNIT	ABC QUADRO	ABC ROLO
Mass	kg	160	155
Height	mm	1190	1155
Width	mm	542	540
Depth	mm	516	517
Stove power	kw	9	9
Flue pipe	ø	145	145
Draft required	Pa	12	12



Figure 1

ABC ROLO and ABC QUATRO stoves have robust design. The highest quality materials were used in their production and along with a 5 year warranty provide security to a client in the long-term usage.

2. SAFETY INSTRUCTIONS

- Do not use gasoline or other flammable fluids to start a fire. During operation external surfaces of the stove are very hot, so the whole stove poses a risk of burns.
- Children must not be near the stove during its operation without supervision.
- It is prohibited to burn waste materials, plastic-coated wood etc. in the stove. These materials are hazardous to the environment and can damage the wholecombustion system of a stove.
- It is prohibited to store flammable materials in the lower compartment of the stove.
- It is prohibited to dry the clothes directly on the stove. Clothes drying stand must be out of stove irradiation range.
- Any modification or alteration of the stove is prohibited. Only original parts delivered by ABC PROIZVOD factory can be used.

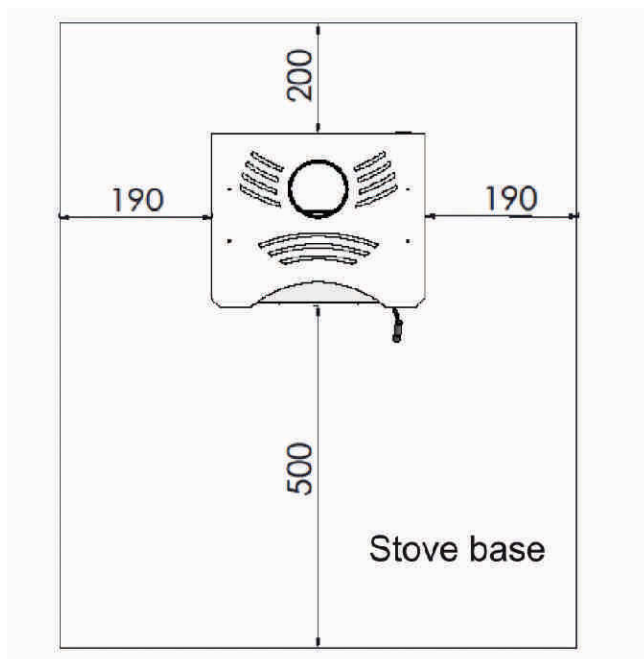


Figure 2

It is recommended that the furnace be placed on the base that is resistant to temperature. Figure 2 shows correctly placed stove with base dimensions.

Warning

- The stove must be connected to a chimney that meets all national regulations and standards.
- All joints and connections between the stove and the chimney must be well sealed.
- In the range of 200 mm around the flue pipes it is necessary to remove all flammable or heat-sensitive materials.
- During the first firing up, a burning of stove paint occurs. We suggest that your first firing up be performed in the open space or in a well ventilated room.
- Figure 3 shows the stove radiation zones and the minimum distances from flammable objects.

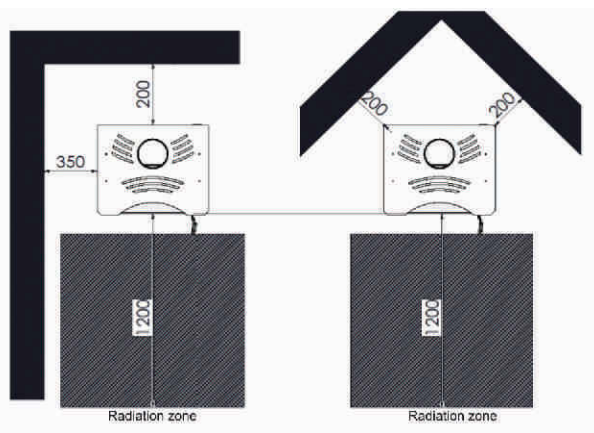


Figure 3

3. INSTALLATION

- Ensure that the room where the stove is installed has enough fresh air. If windows and doors are well sealed you could be faced with situation that there is not enough fresh air needed for good combustion and reliable operation of the stove. In this case it is necessary to provide fresh air to the rear side of the stove.
- The stove must be connected to the appropriate chimney that must have a minimum active height of 4.50m. Maximum allowable pressure of primary draft is 20Pa (thrust in the chimney). Diameter of the chimney should correspond the diameter of the flue pipe on the stove. If the primary draft is big there is a possibility of a mounting a flap with positioner for regulation of primary draft.
- If there is a primary draft regulation flap installed before opening the stove door, make sure that the positioner on the flap is open as there is a risk of return of flue gases into the room.
- Flap is not part of the ovens' basic equipment but can be ordered from your dealer or in the factory.

4. FUEL TYPE SELECTION

- You can use all kinds of natural, chemically non-treated wood and pieces of wood bark. You can also use charcoal or coal briquettes.
- The use of dry beech wood with moisture content not exceeding 25% is recommended.
- If the moisture content in the wood is high, water evaporation can lead to condensation and damage the oven.
- It is prohibited to use a lacquered wood, laminated wood or plastic-coated wood, wood treated with protective agents, household waste, paper briquettes, flammable liquids (including methanol and ethanol).
- Combustion of the above materials besides releasing a very bad smell also generates harmful emissions that are harmful to health and damage the environment.

5.1. PRIMARY AIR

- Primary air is brought into the lower part of the stove under the grate in the combustion chamber and provides a quick raise of stove temperature during the ignition phase.

5.2. SECONDARY AIR

- Secondary air is brought into the upper zone of stove and supplies the combustion chamber with a certain amount of hot air required for complete combustion of gases that are released during the wood burning. Secondary air has another role and that is to prevent the forming of soot layers on the stove door glass.
- For controlling the secondary air there is a general rule and that is: small fire requires a small amount of secondary air and a big fire requires more secondary air
- During the stove operation the secondary air regulation lever should never be completely closed.

6. REGULATION OF COMBUSTION AIR

- Solid fuel stoves ABC ROLO and ABC Quadro are equipped with a unique system for controlling the flow of combustion air so that at all times, by simple control of the primary and secondary air, you get maximum efficiency rate and minimum fuel consumption.
- When starting the fire both primary and secondary air should be fully open (pull the lever towards you until the end).
- Fuel is added only when the previous amount of the fuel is burnt. Enough quantity is 2 - 3 wood pieces with total weight of 1.5-2kg and we recommend that the pieces of wood are arranged in a single layer if possible.
- If you use a charcoal, it is enough to add 2-3 small lumps in the middle of the combustion chamber, open primary air to the maximum and adjust the secondary air as needed.

7. CLEANING AND MAINTENANCE

- Wood stoves ABC ROLO and ABC QUADRO are painted with fireproof paint.
- It is prohibited to use chemical cleaners, degreasers, etc. for cleaning steel parts of the stove. It is recommended that the steel parts of the oven should only be cleaned with a damp cloth. All inox parts of the stove can be cleaned with alcoholbased cleansers and cleansers that are designed to clean the stainless steel (inox) surfaces.
- Stove and flue pipes should be thoroughly cleaned at the end of every heating season (and during the heating season if chimney cleaning is performed or if the chimney is smaller).
- Cleaning the flue pipes is performed at the end of the heating season by taking the baffle plates out and cleaning them with a brush and internal parts of the stove with a vacuum cleaner or by scraping deposits of soot if any.
- Discharging the ashtray is carried out daily, depending on the intensity of the firing. It is necessary to wait for the stove to cool down and then pull the ashtray upward and towards yourself.
- If an ashtray is not correctly installed that may cause irregular operation of the stove.

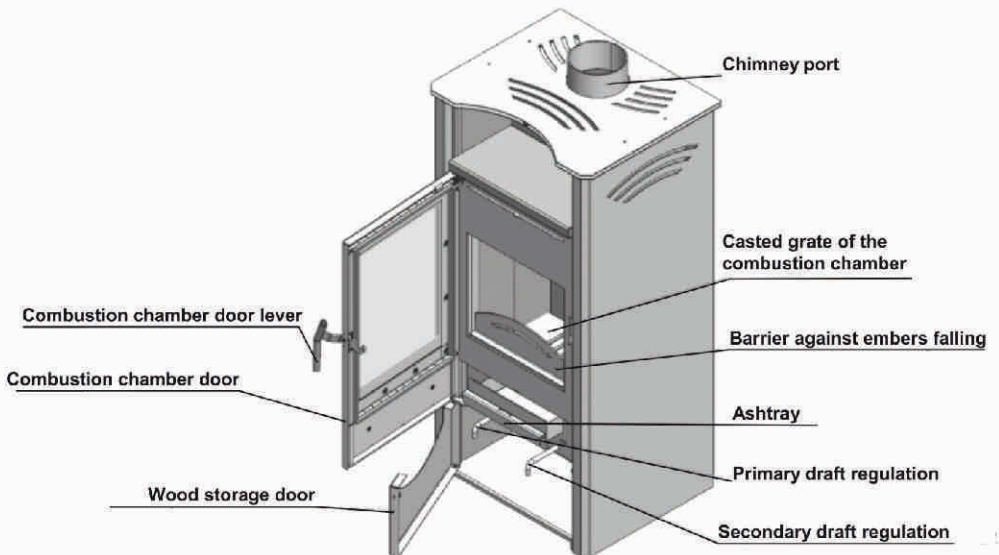


Figure 4

8.APPENDIX

CE DECLARATION OF CONFORMITY:

Manufacturer: ABC PROIZVOD Ltd.
Miloš Obrenović street,
2, 31000 Užice/Serbia

Declares that the solid fuel heating devices called:
ABC ROLO and **ABC QUADRO** comply the terms and provisions of the **CE Construction Products Directive 89/106/EEC** and also comply with the following harmonized standards:

EN 13240:2001;
EN 13240:2001/A2:2004;
EN 13240:2001/AC:2006 i
EN 13240::2001/A2:2004/AC:2007

Certified laboratory that carried out the verification and testing of solid fuel heating devices regarding the compliance with the requirements specified in standards:

Termoplam Ltd. Testing laboratory Republic of Bulgaria/Sofia

The company "**ABC PROIZVOD**" in 2007 introduced a quality management system **JUS ISO 9001/2008**, which is maintained and improved. Since 2013, two additional standards were introduced. **SRPS OHSAS 18001/2008** and **SRPS ISO 14001/2005**, so the company possesses an **INTEGRATED QUALITY MANAGEMENT SYSTEM** which is certified by an accredited body.





ABC PROIZVOD d.o.o., Miloša Obrenovića 2, 31000 Užice, SRBIJA

Tel: ++381 (0) 31 514 501, (0) 31 514 502

E-mail: office@abcproizvod.rs www.abcproizvod.rs