



TECHNICAL MANUAL
for solid fuel burning cookers
Concept 2 Air and Concept 2 Mini Air

Dear customers,

Thank you for your trust and congratulations, because by this purchase you have become a member of a large family of satisfied customers of "ABC PROIZVOD".

We expect you to soon make sure that you chose a high-quality and cost-effective product, which is the result of long tradition of our company in the manufacture of boilers, stoves and fireplaces for central heating.

In case of any doubts, dilemmas or questions, do not hesitate to contact us, no matter in what place and from which dealer you purchased our product and we will meet your needs with expert advices and technical support.

Respectfully.



Before using the cookers of *air* generation, carefully read this manual, which provides important information regarding the safe installation, use and maintenance of the device.

MANUAL CONTENT

1	Purpose	1
2	Technical specifications	2
3	Appearance and structure of the cookers	3,4
4	Safety instructions	5
5	Installation	6,7
6	Selection of fuel type	8
7	Regulation of draft	9
8	Use	10
	• Initial firing	10
	• Regulating the intensity of fire	11
	• Baking and cooking of food	11
9	Cleaning and maintenance	12-14
10	Operation irregularities and their elimination	15
11	Warranty	17
12	Appendix	18
13	Additional US and Canadian Installation Instruction	19-37

„ABC PROIZVOD“ LLC, Serbia; 31000 Užice; 2, Miloš Obrenović str.
+381 (0) 31 514-502, 514-501;
e-mail: office@abcproizvod.rs; www.abcproizvod.co.rs

Safety: UL1482 ; ULC-S627

Tested by: GUARDIAN Fire Testing Laboratories, Inc
gftli@earthlink.net
www.firetesting.com

Imported by: Sopka Inc
www.sopkainc.com
contact@sopkainc.com

U.S. ENVIRONMENTAL PROTECTION AGENCY

This unit is not a certified residential wood heater. The primary use of this unit is for cooking or baking.

1. PURPOSE

Cookers of **air** generation are produced in two models:

- **Concept 2 air** and
- **Concept 2 mini air**,

They are intended for **cooking and baking food**.

They use solid fuels: **dry wood, coal or briquettes**.

They give the impression of fireplace, thanks to a fireproof glass on the firebox door.

The construction of the **air** cooker allows precise regulation of the intensity of temperature, easy adding of the fuel and simple removal of the combustion products.

Air cookers provide:

- reliable operation
- high level of energy efficiency (85%),
- preservation of the environment (environment-friendly) and
- long life,

2. TECHNICAL SPECIFICATIONS

Air cookers are made of a certified boiler plate. At higher temperatures we guarantee chemical composition and mechanical properties of the cookers. They are welded with the latest welding methods.

(Table 1) Technical specifications for the **air** cookers

<i>Characteristics:</i>	<i>M.U.</i>	<i>Concept 2 air</i>	<i>Concept 2 mini air</i>
Power	kW	5÷12	4÷10
Degree of efficiency	%	85	85
Weight	kg	190	155
Cooker dimensions:			
- width	mm	1010	565
- height		850	975
- depth		535	520
Oven dimensions:			
- width	mm	420	350
- height		230	230
- depth		410	410
Stovepipe/chimney connection			
- diameter	mm	Ø120	Ø120
- height from the floor		747	873
Airflow (draft) required	Pa	12	16

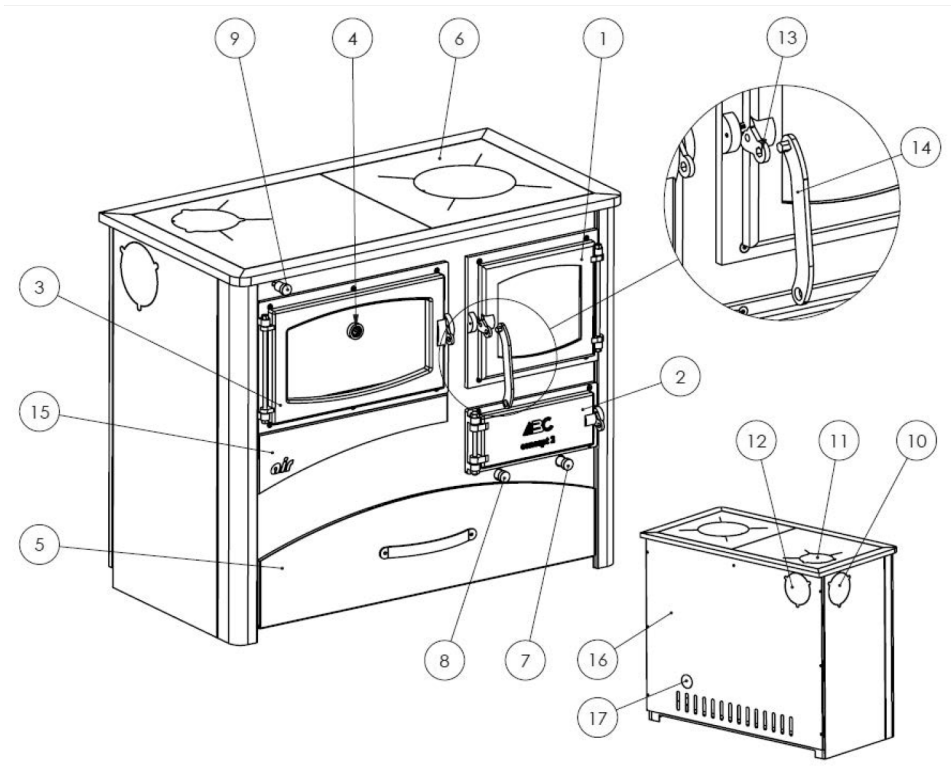
(Table 1) Technical specifications for the **air** cookers

<i>Characteristics:</i>	<i>M.U.</i>	<i>Concept 2 air</i>	<i>Concept 2 mini air</i>
Power	btu	42,000	35,000
Degree of efficiency	%	85	85
Weight	lbs	418	341
Cooker dimensions:			
- width	in	39.76	22.25
- height		33.46	38.38
- depth		21.06	20.50
Oven dimensions:			
- width	in	16.54	13.78
- height		9.10	9.10
- depth		16.14	16.14
Stovepipe/chimney connection			
- diameter	in	Ø6	Ø6
- height from the floor		29.41	34.37
Airflow (draft) required	wc	0.0482	0.048

3. APPEARANCE AND STRUCTURE OF THE COOKERS

3.1. **Concept 2 air** cooker

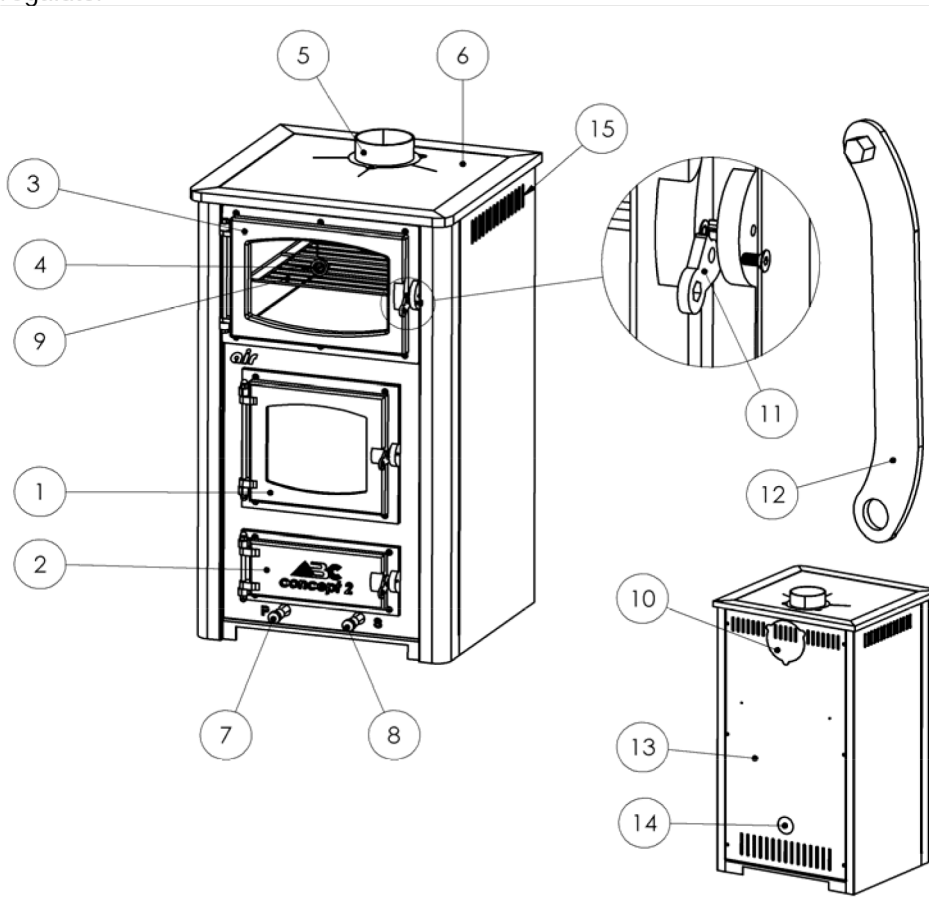
- | | |
|---|---------------------------------------|
| 1. Firebox door | 10. Stovepipe connection, side |
| 2. Ashtray door | 11. Stovepipe connection, through hob |
| 3. Oven door | 12. Stovepipe connection, back |
| 4. Oven thermometer | 13. Latch for closing the door |
| 5. Firewood drawer | 14. Removable handle |
| 6. Hobs | 15. Cover of cleaning opening |
| 7. Primary "P" airflow (draft) regulator | 16. Rear side (back) |
| 8. Secondary "S" airflow (draft) regulator | 17. Opening for outdoor air supply |
| 9. Smoke direction regulator | |



(Fig. 1) Cooker Concept 2 air - left

3.2. **Concept 2 mini air**

- 1. Firebox door
- 2. Ashtray door
- 3. Oven door
- 4. Oven thermometer
- 5. Flue pipe connector
- 6. Hob
- 7. **Primary** "P" airflow (draft) regulator
- 8. **Secondary** "S" airflow (draft) regulator
- 9. Oven grate
- 10. Stovepipe connection, back
- 11. Latch for closing the door
- 12. Removable handle
- 13. Rear side (back)
- 14. Opening for outside air intake
- 15. Openings for radiation of hot air



(Fig. 2) Cooker Concept 2 mini air

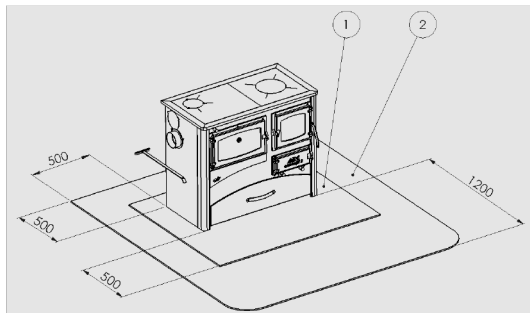
4. SAFETY INSTRUCTIONS

Air cookers are designed to provide maximum safety in operation.

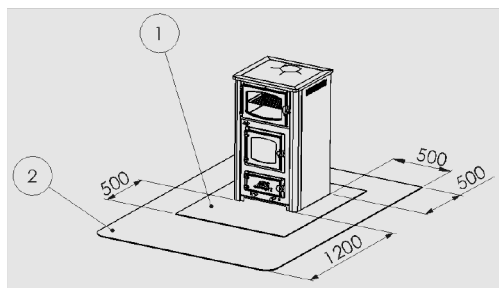
Cooker must not be located on a flammable surface (wood, plastic, etc). If a flammable surface, it should be covered with fireproof layer, which exceeds the dimensions of cooker by 8" (20cm) on the back and the sides, and 18" (46cm) on the front.

Above the cooker hobs there must not be a wooden shelf or similar furniture.

Figure 3 shows the radiation zone of the cooker, and a minimum distance from flammable and heat-sensitive objects, for Concept 2 Air and Concept 2 mini Air.



(Fig. 3a) Concept 2 Air; 1- fireproof layer, and 2- radiotion zone of the cooker



(Fig. 3b) Concept 2 mini Air; 1- fireproof layer, and 2- radiation zone of cooker

One must not use gasoline or other flammable liquids for firing.

During operation, the outer surfaces of the cooker are very hot, so the cooker poses a risk of burns.

Unattended children are not allowed to be near the stove during operation.

It is forbidden to burn in the cooker waste materials that are hazardous to the environment and can damage the whole combustion system of the cooker.

It is forbidden to store flammable materials in the drawer of the stove (*Concept 2 air*).

It is forbidden to dry the clothes directly on the stove. Drier must be out of the radiation range of the cooker.

Any alteration and modification of the stove is forbidden. Only original parts provided by the factory "ABC PROIZVOD" LLC, Užice, can be used.

Air cookers must be connected to a chimney that meets all national regulations and standards.

In a radius of 18" around the cooker flue pipe (shuttle) it is necessary to remove all flammable or heat-sensitive materials.

During the first firing paint burning occurs on the stove. We suggest the first firing to be carried out outdoors or in a well ventilated room.

5. INSTALLATION

A room in which the **air** cooker is installed must have enough fresh air. If windows and doors are well sealed and a room is not ventilated, one can face with the situation that there is no enough fresh air needed for good combustion and reliable operation of the stove.

The chimney is a very important element of the heating system, which must comply with all national regulations and standards.

Air cooker, achieves declared power only if the chimney is properly sized and positioned above the roof.

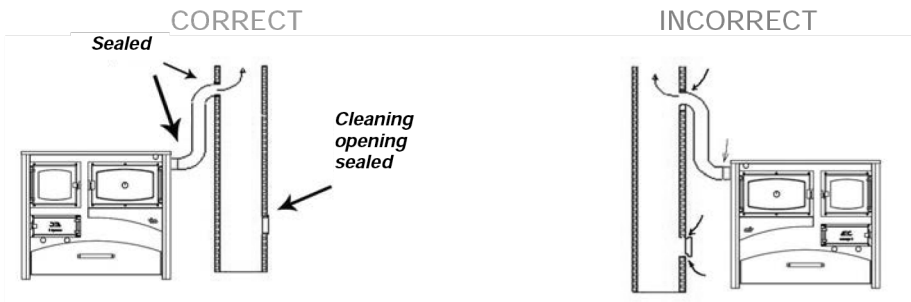
Sizing and verification of the chimney (height, cross-section, isolation and positioning of the chimney above the roof top) performs the designer based on the capacity of the cooker, fuels, necessary draft and other.

If there is a large draft it can be regulated by installing a flap with positioner on the flue pipe.

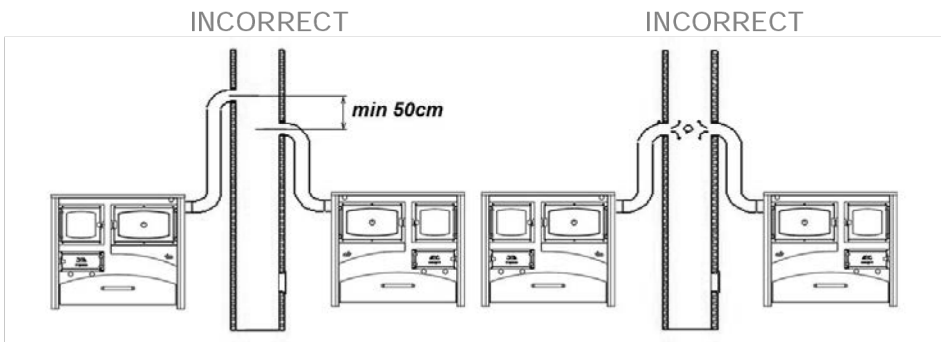
Flap is not part of the basic equipment, but can be ordered from your dealer or the factory.

Diameter of the chimney must be greater than or equal to the diameter of the flue pipe (shuttle) on the cooker.

All connections in the system: cooker, shuttle, and chimney must be tightly sealed.

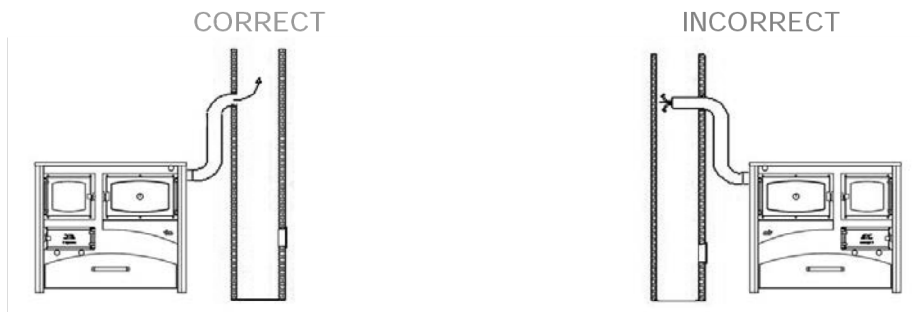


(Fig. 4) Tightness of the cooker, pipes and chimney



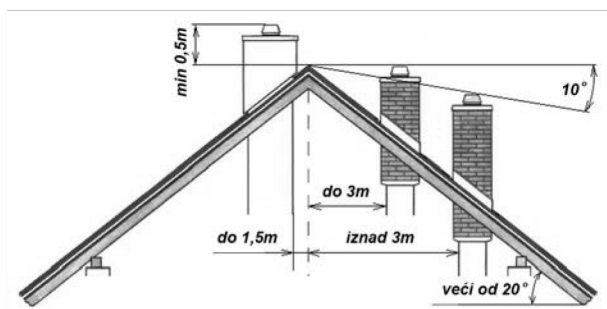
(Fig. 5) Only one appliance per chimney

Flue pipe enters the chimney only by the thickness of the wall of the chimney.

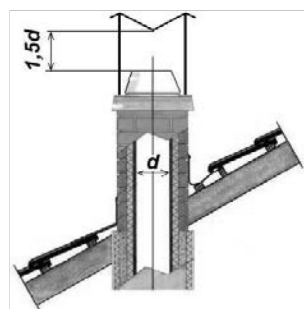


(Fig. 6) Connecting the flue pipe (shuttle) to the chimney

Positioning of the chimney top above the roof level depends on the slope of the roof and the horizontal distance of the chimney from the roof top.



(Fig. 7) The angle of the roof $\geq 20^\circ$



(Fig. 8) Chimney cap

For roof angle of $< 20^\circ$, the top of the chimney must be above the roof for a minimum of 1.5 m.

6. SELECTION OF FUEL TYPE

Air cookers use all kinds of natural wood, pieces of bark, wood, coal or briquettes.

It is recommended to use dry beech wood, moisture content not exceeding 20%.

If the wood humidity is high, moisture evaporation occur and it condense on the inside parts of the cooker and thus damage occur.

It is not allowed to use lacquered wood, laminated wood, wood coated with plastic, wood treated with preservatives, flammable liquids, including methanol and ethanol and other household waste.

Combustion of said illicit materials, besides producing a very unpleasant odor, it also generates harmful emissions that affect the health of living beings and pollute the natural environment.

7. REGULATION OF DRAFT

Air cookers are equipped with a unique system for draft (airflow) regulation for combustion of a fuel.

By simply regulating the draft of the *primary* "P" and the *secondary* "S" airflow, in any moment you can get the maximum degree of efficiency, minimum fuel consumption and minimal emissions to the environment.

Proper regulation of the draft makes flue ducts cleaner, firebox door glass is not sooty and there is no emission of harmful gases into the atmosphere.

Draft regulation is performed with two handles located on the front below the ashtray door and are connected with flaps that cover the openings for the intake of fresh air into the firebox.

Concept 2 air cooker is produced in two versions: left-sided or right-sided.

On the left-sided cooker, oven is located on the left side of the cooker and the lever for regulating the secondary draft is the left one, indicated with letter "S" (Fig. 9, item 2).

On the right-sided cooker, oven is located on the right side of the cooker and the lever for regulating the secondary ("S") draft is on the right.

Primary lever (indicated with letter "P") is used for fine-tuning of the flow of primary air through the grate of the firebox into the fuel area (wood, briquettes, coal).

Secondary "S" lever is used for fine-tuning of the flow of secondary air through special tunnels of the firebox. Part of the heated air goes into the upper zone of the firebox and the second part in front of the firebox door glass.

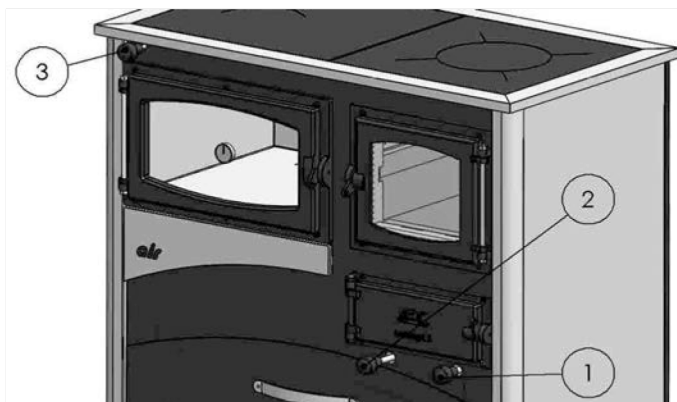
Supplying the fresh primary air (oxygen) in the area around the fuel enables the combustion. During this process, there is a release of gas from the fuel. Gases are raised up in the combustion chamber in the direction of draft flow and meet with secondary air (oxygen) that allows their complete combustion.

For proper operation of the draft regulator, ashtray door and firebox door must be closed.

1. „P" lever
for regulating the
primary air

2. „S" lever
for regulating the
secondary air

3. lever for regulating
the path of flue
gases



(Fig. 9) **Concept 2 air** cooker – left-sided (oven is located on the left side of the cooker)

8. USE

Air cookers are designed for space heating, cooking and baking food. Depending on your needs, their operation is regulated manually.

- **Initial firing**

Air cookers use solid fuel, as all permanent-fervency products.

Firing of small wood pieces and paper, located on the firebox grate, is performed through opened firebox door.

During initial firing, it is necessary that the primary and secondary flaps for fresh air are positioned for maximum intake (pull levers "P" and "S" towards yourself to the end).

Flap for regulating the path of flue gases (only in model **Concept 2 air**, Fig. 9, item 3) should also be opened to the maximum (pull lever towards yourself to the end).

Close the firebox door.

After initial firing fill the firebox with fuel. When the fire flares up close the flap for regulating the path of flue gases (only for the model **Concept 2 air**, Fig. 9, item

3) and levers for regulating the draft "P" and "S" (Fig. 9, items 1 and 2) position depending on the desired intensity of the fire.

Firing should be started with moderate intensity in order to avoid sudden changes in temperature.

- ***Regulating the intensity of the fire***

When the fire flares up after initial firing:

- Muffle the supply of primary air. How long do we leave the draft, depends primarily on the desired intensity of fire (required KWs), the quality and type of fuel, the chimney, the atmospheric pressure outside and other.
- After reaching the desired temperature, close the primary draft flap and keep the secondary draft flap open.
- Secondary air draft is used for burning out the fumes from the fuel.
- Secondary draft is regulated according to the intensity of the fire (flames) in the combustion chamber. Larger fire in the furnace requires a greater amount of secondary air and vice versa.

- ***Baking and cooking of food***

Air cookers easily reach temperatures for the thermal preparation of food.

For reaching the desired temperature faster, use dry firewood.

Insert a larger amount of the fuel in the firebox. More intensive fire is achieved with higher air draft (oxygen) through the firebox.

Oven includes movable grate made of stainless steel which is used for placing the food baking tray. Two food baking trays can be placed in the oven at the same time.

Achieving the desired temperature in an oven is monitored via thermometer which is located on the oven door.

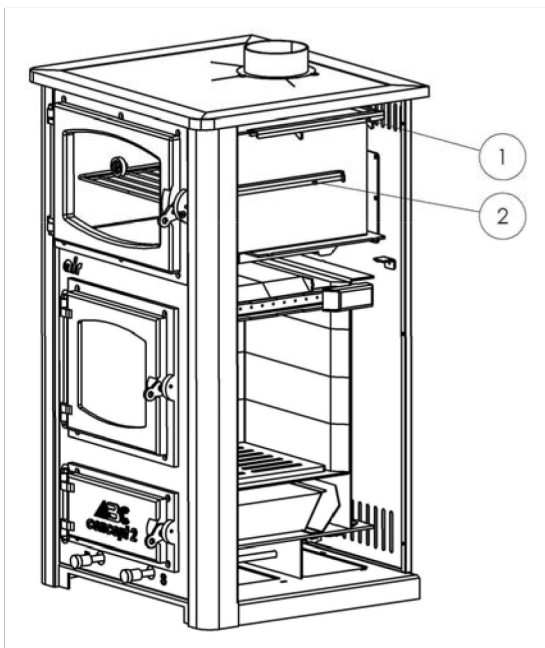
If the temperature of the hob on the **Concept 2 mini air** cooker is unsatisfactory (inadequate draft due to improperly constructed chimney or other) it is necessary to remove the partitioning battens (1 and 2) located left and right from the oven.

Battens can be reached by lifting the hob of the cooker.

First, remove the top batten (1) and then use the wire with a hook at its end, to hook the bottom batten (2) through the hole located at the end of the batten and take it out.

We recommend that you first remove the lower partitioning battens (2), and only if necessary the top battens too (1).

This way you can adjust the operation of the cooker – hob in accordance with your chimney.



(Fig. 10) *Concept 2 mini air* cooker cross section

9. CLEANING AND MAINTENANCE

It is necessary to properly maintain **air** cookers for a longer duration and their proper operation.

All cleaning of the external or internal surfaces should be performed when the cooker is cold.

Empty ashtray daily. Keep the area around the ashtray clean.

The outer surface of the **air** cooker should be cleaned with a damp cloth using a mild detergent.

All stainless steel surfaces should be cleaned with alcohol-based products and tools that are intended for this purpose.

Cookers' hobs are coated with a protective fireproof paint, which protects them from corrosion until the beginning of the use of the cooker.

The paint on the cooker hobs is not resistant to mechanical damage.

When cooking on the hob, pulling pans without lifting them from a hob, can damage the hob paint.

Hobs should be maintained in a classic way, with sponge (hard side) and fine abrasive tools – sandpaper.

Any scrubblings should be removed mechanically using the blade tools. In the event of a longer delay in the use of the stove, hobs should be coated with acid-free oils.

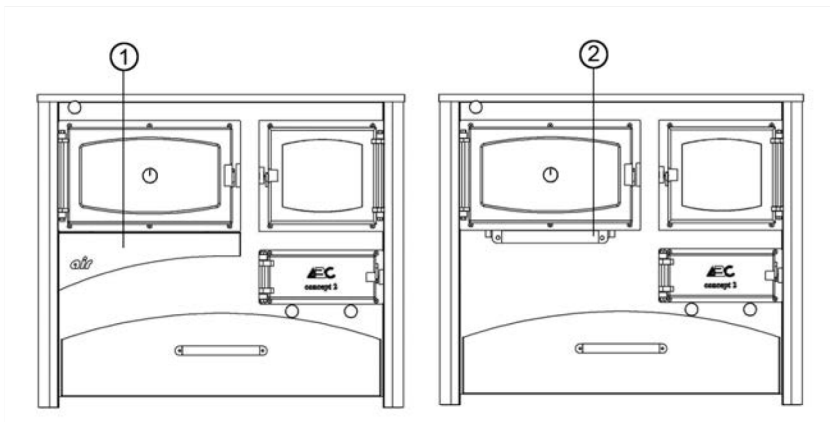
Oven is made of stainless steel. Clean the oven after each use.

The inner surfaces of the cooker, where flue gases are passing, should be periodically cleaned. The frequency of cleaning depends primarily on the quality of fuel.

Perform cleaning at least once per month, as follows:

a) **Concept 2 air** cooker (See Fig. 11):

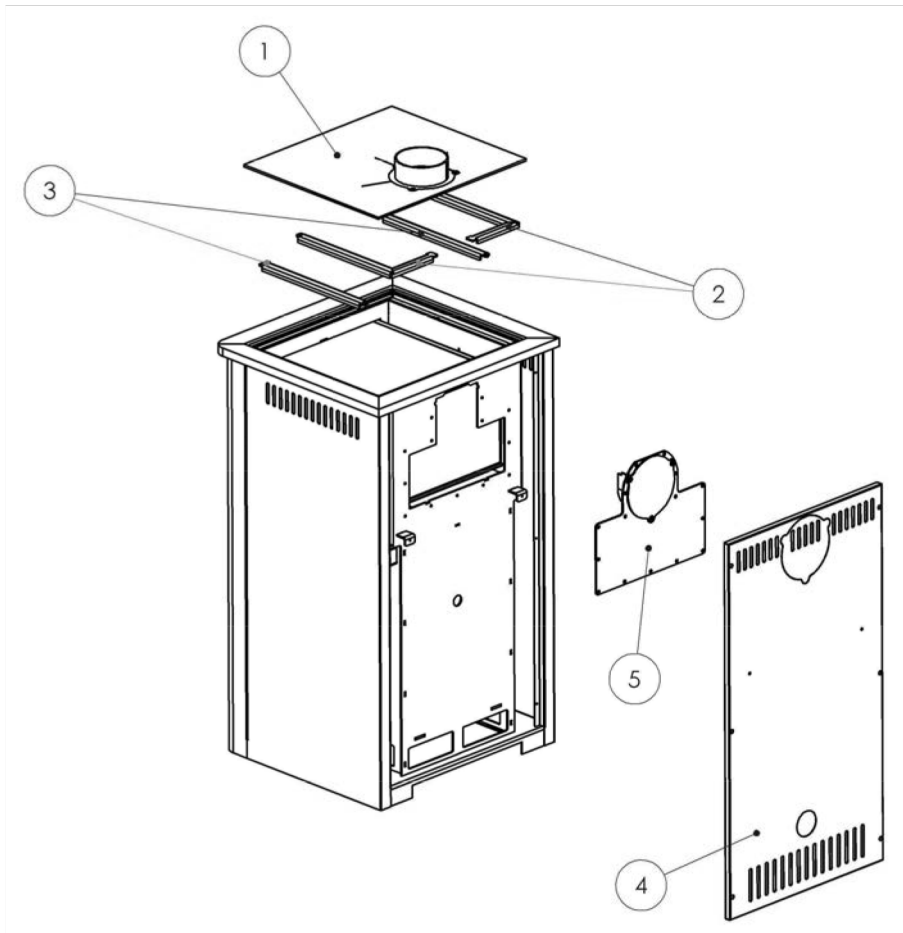
- First, remove the hobs from the cooker and clean their bottom side from deposits of combustion products.
- Use blade tool to scrape layers of combustion products from the interior walls. Deposits that have fallen on the floor under the oven should be pushed out off the cooker, through the hole located on the front, below the oven door.
- The manufacturer recommends the use of chemical agents "Astratherm" which facilitates mechanical removal of combustion products deposited on the interior walls of the cooker.
- In order to reach the hole for pushing the scraped layers out, the front mask and the cover should be previously removed. Front mask is removed from the holders simply by pulling the mask towards you.
- Cover of the opening for cleaning is removed by unscrewing the two M6 wing nuts. When removing the cover take care not to damage the gasket that is under the hood.
- When cleaning it is necessary to remove the chamotte and vermiculite boards.
- The assembly of parts is the opposite of disassembly procedure. Make sure the gasket that is under the cover of the opening for cleaning is well placed. The cover does not allow the passage of air and flue gas.



(Fig. 11) 1 – front mask of the opening for cleaning and 2 - opening for cleaning after removing: the mask, the cover and the gasket of the opening for cleaning.

b) **Concept 2 mini air** cooker (See Fig. 12):

- First, remove the hobs from the cooker and clean their bottom side from deposits of combustion products.
- Remove and clean partitioning battens around the walls of the oven (2 and 3)
- Use blade tool to scrape layers of combustion products from the interior walls. Deposits that have fallen on the floor under the oven should be pushed out off the cooker, through the opening located on the back of the oven.
- In order to reach the opening for pushing out the scraped layers, first, it is necessary to remove the back sheeting (4) and the cover (5).
- Back sheeting (4) is removed by unscrewing the 6 screws connected to the side sheeting's and 2 screws connected to the body of the cooker.
- Cover (5) is removed by unscrewing 9 screws. When removing the cover take care not to damage the gasket that is under the cover.
- When cleaning, it is necessary to remove the chamotte and vermiculite boards.
- The assembly of parts is the opposite of disassembly procedure. Make sure the gasket that is under the cover of the opening for cleaning is well placed. The cover does not allow the passage of air and flue gas.



(Fig. 12) Cleaning the flue pipes around the oven

10. OPERATION IRREGULARITIES AND THEIR ELIMINATION

Dear users of the **air** generation of cookers, the proper use and maintenance can guarantee you a long-time reliable partner for comfortable heating.

The following table shows the most common operation irregularities and recommendations for their elimination.

(Table 2) Operation irregularities and their elimination

No.	Defect	Possible cause	Defect elimination
1	Difficulties in firing	<ul style="list-style-type: none"> - Draft regulators closed - Wet wood - Lack of oxygen in the Room 	<ul style="list-style-type: none"> - Open the draft regulators - Use dry wood - Ventilate the room
2	Heating, cooking and baking is poor	<ul style="list-style-type: none"> - Improper usage - Poor chimney 	<ul style="list-style-type: none"> - Read this manual carefully - Check the chimney
3	Firebox door glass is getting sooty in a short time	<ul style="list-style-type: none"> - Secondary air inlet is closed - Wet wood - Insufficient draft 	<ul style="list-style-type: none"> - Open the secondary air draft regulator - Use dry wood - Clean the cooker, shuttle or chimney - Check the connections between the cooker, shuttle and chimney
4	Smoke comes under the hobs	<ul style="list-style-type: none"> - Draft regulators are closed - Insufficient draft - Ash from the firebox grate is not cleaned 	<ul style="list-style-type: none"> - Open the primary draft regulator - Clean the cooker or the chimney - Check the connections between the cooker, shuttle and chimney - Clean the firebox grate

If you failed to remove technical defects due to the possible production deficiencies, please contact the factory "ABC PROIZVOD" LLC, Užice, for advice/intervention.

11. WARRANTY

The company "ABC PROIZVOD" LLC, Užice, for *air* generation of cookers gives

5 YEAR WARRANTY

The exceptions to the five-year warranty are ceramic parts (chamotte, glass, gaskets and vermiculite boards) of *air* cookers, for which the manufacturer provides a 2 year warranty.

Limited 5 year Warranty

"ABC Proizvod" warrants its products against manufacturing defects to the original purchaser only—i.e., individual (register customer) whose name appear on the warranty registration card., for a period of Five years (Two years on gaskets, glass and firebricks), from date of purchase from only an authorized dealer.

If within the five-two year period, your product should develop a defect due to materials or workmanship of the original new product, ABC Proizvod (manufacturer), Sopka Inc (importer), or your authorized dealer will supply **ONLY** the parts necessary to make the repairs. (Labor Not Included) and is subject to following condition and limitations:

This limited warranty does not cover damages caused by misuse, lack of maintenance, accident, alterations, abuse or neglect.

This limited warranty does not cover any scratches, dents, corrosion or discoloring caused by excessive heat, cleaning chemicals, nor chipping on porcelain enamel parts, nor any venting components used in the installation.

Installation must be done in accordance with installation instructions included with product and all local and national building and fire codes.

ABC Proizvod manufacturer and Sopka Inc importer will not be liable for incidental and consequential damage of any nature. This warranty gives the purchaser specific legal rights which may vary from state to state. No other warranty is to be implied or expressed, including warranties implied for a specific or particular purpose.

ABC Proizvod reserves the right to have its representative inspect any product or part thereof prior to honoring any warranty claim.

Dear buyers, if you are not satisfied with your **air** cooker, please before you decide to contact us requesting an intervention, pre-check the following:

1. Did you install your **air** cooker in accordance with instructions from the manual in terms of:
 - selecting the cooker power in relation with heating capacity;
 - height, cross-section, isolation and ways of setting up the chimney above the roof and
 - proper connection between the cooker and the chimney via shuttle.
2. Do you follow the prescribed regimen of heating and maintenance of temperature for **air** cooker, in terms of:
 - correct choice of fuel;
 - regulating the primary and secondary draft;
 - regulating the path of flue gases and
 - mandatory closing the firebox and ashtray doors.
3. Do you properly maintain your **air** cooker, in terms of cleaning the soot and tar from the inside of the stove, shuttles and chimney?
4. Did you perform some unsolicited modifications to the cooker?

12. APPENDIX

CE declaration of conformity:

Manufacturer: „**ABC PROIZVOD**“ doo
2, Miloš Obrenović str.
31000 Užice/Serbia

Declares that the solid fuel burning devices for room heating, named:
Concept 2 air and Concept 2 mini air,

Comply with the terms and provisions of the CE (Construction Products Directive) 89/106/EEC, as well as with the following harmonized standards:

- EN 12815**
- EN 13240: 2001;**
- EN 13240: 2001/ A2: 2004:**
- EN 13240: 2001/ AC: 2006 and**
- EN 13240: 2001/ A2: 2004/ AC: 2007**

In 2007, the company „**ABC PROIZVOD**“ LLC, Užice, has introduced a system of quality management

SRPS ISO 9001/ 2008, which is constantly maintained and improved.

Since 2013, two additional standards were introduced:

SRPS OHSAS 18001/ 2008 and

SRPS ISO 14001/ 2005, so the company implements an

INTEGRATED SYSTEM OF QUALITY MANAGEMENT, which is certified by an accredited body.



Owner's Manual

Tested to UL 1482, ULC-S627 *Solid Fuel Room Heater* Tested to:
EN 12815

PLEASE READ ALL INSTRUCTIONS BEFORE YOU INSTALL YOUR NEW STOVE. FAILURE TO FOLLOW INSTRUCTIONS MAY RESULT IN PROPERTY DAMAGE, BODILY INJURY, OR EVEN DEATH.

SAFETY NOTICE: FOR YOUR SAFETY, CONTACT LOCAL BUILDING OR FIRE OFFICIAL ABOUT PERMITS, RESTRICTIONS, AND INSTALLATION REQUIREMENTS FOR YOUR AREA. PLEASE CHECK WITH YOUR INSURANCE BEFORE USING IN YOUR HOME. USE PROFESSIONAL INSTALLER.

CAUTION

Hot while in operation- do not touch Contact may cause skin burns

Keep children and clothing away

Keep furnishing and other combustible materials a considerable distance away from stove.

Do not overfire. If stove or chimney connector glows, you are overfiring

DO NOT INSTALL IN MOBILE HOME OR TRAILER

SAFETY INSTRUCTIONS

Read all instructions carefully.

1. The installation of this stove must comply with your local building codes. Please observe the clearance to combustible. Stove must be 12"(30cm) from any combustible material, wall, wood, furniture, paper, etc.
2. Always connect this stove to a chimney and vent outside. This stove requires approved masonry or factory build 6" diameter UL 103 Type HT chimney, that is high enough to give good draft.
3. Do NOT connect this stove to a chimney flue serving another appliance.
4. Be sure that your chimney is safely constructed and in good repair. Have chimney inspected by the fire department or a qualified inspector.
5. Creosote or soot may build up in the chimney connector and chimney and may cause a house or building fire. Inspect the chimney connector and chimney twice monthly during the heating season and clean if necessary.
6. Burning any kind of fuel uses oxygen from the dwelling. Provide fresh air for proper combustion from outside the house into the room where the stove is located.
7. To prevent injury, do NOT allow anyone to use this stove who is unfamiliar with the correct operation of the stove. Do not operate stove while under the influence of drugs or alcohol.
8. Flue connector pipe should be 6" diameter, minimum single wall 24 msg black or 25 msg blued steel. (Listed to UL 103, Type HT and evaluated to CAN/ULC-S629-M87)
9. Do Not overfire. The special paint used on stove may give off some smoke and an odor while they are curing during first few fires. Open windows and doors as needed to clear smoke and odor. Overfiring may cause some damage to the stove.
10. Use only dry, seasoned, natural untreated wood. Do not burn garbage or flammable fluids, such as gasoline, naphtha, kerosene or engine oil.
11. Use the metal ash drawer only to dispose of ashes. Dispose of ashes in a metal container with a tight fitting lid. Keep the closed container on a non-combustible floor, well away from all combustible materials. Keep ashes in the closed container until all cinders have thoroughly cooled. The ashes may be buried in the ground or picked up by a refuse collector.
12. CAUTION: Hot while in operation. All person, especially young children should be alerted and trained to stay a safe distance from the stove. Small children should be all the time carefully supervised when they are in the same room with the stove.
13. This stove requires non-combustible floor protection.
14. Keep stove area clear and free from all combustible materials such as gasoline and/or other flammable vapors and liquids at minimum 40".
15. Never leave an unattended woodstove burning on high.
16. It is highly recommended to install smoke and carbon monoxide detectors in the home when installing a wood stove.

SAVE THESE INSTRUCTIONS

INSTALLATION INSTRUCTION

NOTE: FLOOR EMBER PROTECTION IS REQUIRED FOR SPARK AND ASH SHIELDING, NOT FOR LIMITING FLOOR TEMPERATURE FROM THE RADIANT HEAT OF THE APPLIANCE.

1. Proper clearances must be maintained for adequate air circulation. Adequate ventilation must be provided while operating this stove.
2. The stove must be placed on solid masonry, solid concrete, or when installing on combustible floor, on a UL 1618 listed floor protector or flammable floor must be protected by in-sulating plate (steel, brass, marble, stone, ceramic tiles, etc.) . The base must extend at least 18" (46 cm) beyond the front of the stove and 8"(20 cm) to the sides, and MUST extend under the stove pipe. (Check local building codes and fire protection ordinances.) Floor protector minimum size; „Concept 2 Air“ 56“ x 47“; „Concept 2 mini Air“ 39“ x 47“
3. The stove must have its own flue. **DO NOT CONNECT THIS UNIT TO A CHIMNEY SERVING OTHER APPLIANCES.**
4. Connect flue collar to the stove and adapter for creosote leakage. The crimped end of the stove pipe must be installed facing down to fit inside the adapter. Figure 1, page 11
5. Use three (3) sheet metal screws at each joint of stove pipe and adapter to firmly hold stove pipe together. Use 6" round black/blue stove pipe (Listed to UL 103, Type HT and evaluated to CAN/ULC-S629-M87) NOT galvanized pipe. **DO NOT CONNECT THIS STOVE TO ANY AIR DISTRIBUTION OR DUCT SYSTEM.**
6. Slope any horizontal stove pipe upward toward the chimney at least 1/4 inch for each foot of horizontal run.
7. You must have at least 18" of clearance between any horizontal single wall pipe and ceiling.
8. The stove pipe must NOT extend to far into the chimney flue.
9. It is recommended that no more than two (2) 90 degree bends be used in the stove pipe installation.
10. Connect to 6" inspected masonry chimney or 6" UL Type HT listed chimney.

MASONRY CHIMNEY

Before using an existing masonry chimney, clean the chimney, inspect the flue liner and make any repair needed to be sure it is safe to use.

If connector stove pipe must go through a combustible wall before entering the masonry chimney, consult a qualified mason or chimney dealer. The installation must conform to local fire codes, and NFPA 211.

Do NOT connect this stove into the same chimney flue as the fireplace or flue from another stove. If there is a cleanout opening in the base of the chimney, close it tightly.

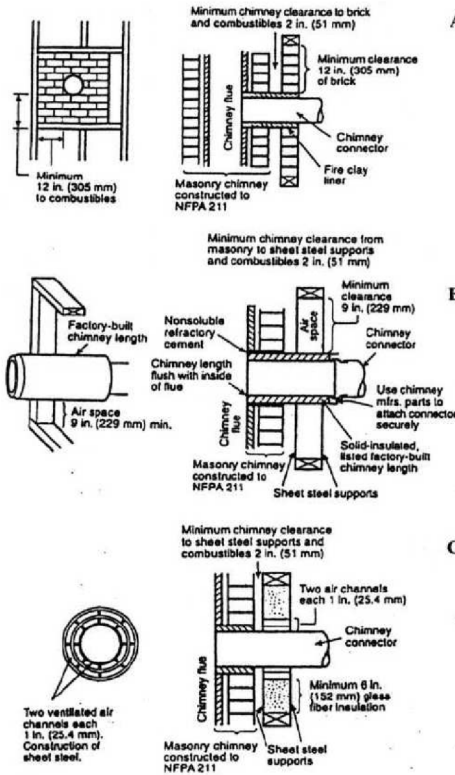
UL LISTED CHIMNEY

Carefully follow chimney manufacturer's instructions. Use only a UL 103 Type HT Listed Residential Type and Building Heating Appliance Chimney. The top of the chimney must be at least three (3) feet above the roof and be at least two (2) feet higher than any point of the roof within ten (10) feet.

A PROFESSIONAL, LICENSED HEATING AND COOLING CONTRACTOR SHOULD BE CONSULTED IF YOU HAVE QUESTIONS REGARDING THE INSTALLATION OF THIS SOLID FUEL BURNING APPLIANCE.

Chimney connector systems and clearances

Chimney connector shall not pass through attic or roof space, closet or similar concealed space, or a floor, or ceiling. When passage through a wall, or partition of combustible is desired, the installation shall conform to CAN/CSA-B365, Installation Code for Solid-Fuel-Burning Appliances and Equipment:



A. Brick Masonry

Minimum 3.5-inch thick brick masonry all framed into combustible wall with a minimum of 2-inch brick separation from clay liner to combustibles. The fireclay liner shall run from outer surface of brick wall to, but not beyond, the inner surface of chimney flue liner and shall be firmly cemented in place.

B. Insulated Sleeve

Solid-insulated, listed factory-built chimney length of the same inside diameter as the chimney connector and having 1-inch or more of insulation with a minimum 9-inch air space between the outer wall of the chimney length and combustibles.

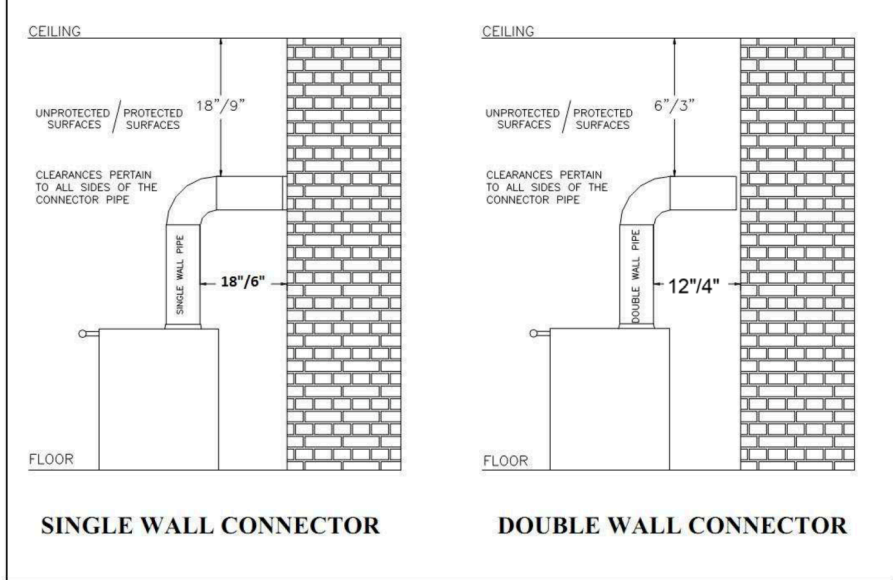
C. Ventilated Thimble

Sheet steel chimney connector, minimum 24 gauge in thickness, with a ventilated thimble, minimum 24 gauge in thickness, having two 1-inch air channels, separated from combustibles by a minimum of 6-inch of glass fiber insulation. Opening shall be covered, and thimble supported with a sheet steel support, minimum 24 gauge in thickness.

D. Chimney Section Pass-through

Solid insulated, listed factory-built chimney length with an inside diameter 2-inch larger than the chimney connector and having 1-inch or more of insulation, serving as a pass-through for a single wall sheet steel chimney connector of minimum 24 gauge thickness, with a minimum 2-inch air space between the outer wall of chimney section and combustibles. Minimum length of chimney section shall be 12-inch chimney section spaced 1-inch away from connector using sheet steel support plates on both ends of chimney section. Opening shall be covered, and chimney section supported on both sides with sheet steel support securely fastened to wall surfaces of minimum 24 gauge thickness. Fasteners used to secure chimney section shall not penetrate chimney flue liner.

CHIMNEY CONNECTOR CLEARANCE TO COMBUSTIBLES

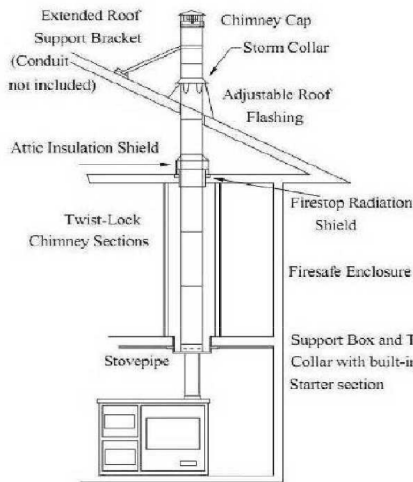


CLEARANCES:

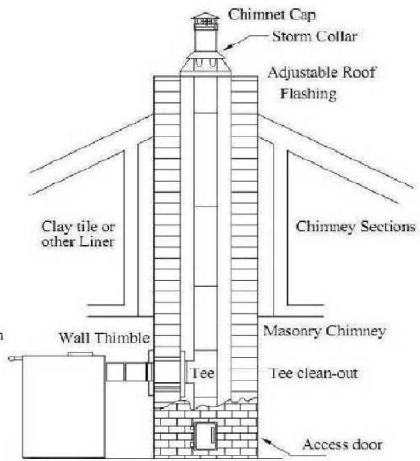
Back of Stove
Side of Stove

Combustible
12"(30cm)
12"(30cm)

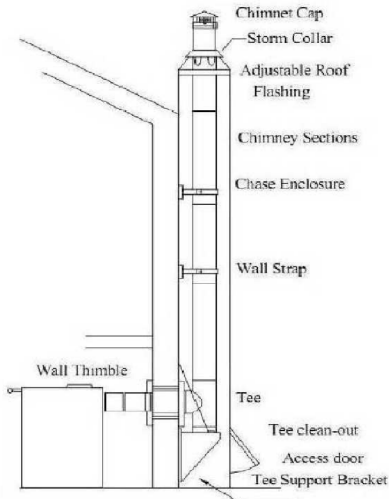
NON-combustible (Protected Walls)
4"(10cm)
4"(10cm)



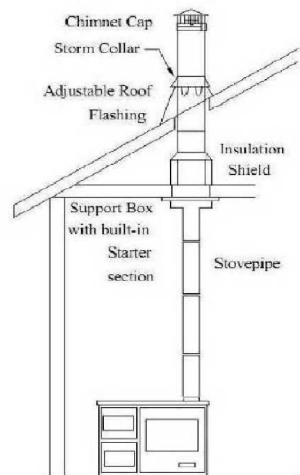
Two story house installation with attic.



Chimney pipe through Clay tile or other Lined Masonry Chimney



Chimney through outer wall with enclosed chase. Chimney is supported by Tee Support Bracket.



One story house installation with attic. Chimney is supported by Ceiling.

MINIMUM CLEARANCES TO COMBUSTIBLE SURFACES

Unit to Sidewall - - - - -	-12" (30 cm)
Unit to Backwall - - - - -	-12" (30 cm)
Unit Corner to wall - - - - -	12" (30 cm)
Pipe Connector to Ceiling - - - - -	18" (46 cm)

CAUTION: KEEP FURNISHING AND OTHER COMBUSTIBLE MATERIALS AWAY FROM THE STOVE.

Clearances may only be reduced by means approved by regulatory authority.

OPERATION OF THE STOVE

1. Burn wood only. The wood should be natural, air dried (seasoned) for at least six (6) months. Before lighting open draft, located on front left or right side of stove. Light wood using paper, twigs, etc. NEVER USE ANY FLAMMABLE LIQUIDS OR GASOLINE TO START OR FRESHEN UP A FIRE IN THE STOVE.
2. After the fire has been started, adjust the rate of burning by opening or closing the draft con-trol.
3. Do NOT touch the stove after firing until is has cooled.
4. Never overfire this stove by building excessively hot fires.
5. If stove begins to glow or turn red, you are overfiring the stove.
6. Inspect stovepipe every 60 days. Replace immediately if stove pipe is rusting or leaking smoke.
7. Inspect the stove pipes, connectors, and chimney twice monthly during the heating season and clean if necessary.

CAUTION: SLOW BURNING FIRES AND EXTENDED USE MAY CAUSE EXCES-SIVE CREOSOTE BUILDUP. IGNITION OF CREOSOTE/SOOT OR OVERFIRING MAY CAUSE CHIMNEY FIRE. CHIMNEY FIRES BURN EXTREMELY HOT AND MAY IGNITE SURROUNDING MATERIALS. IN CASE OF CHIMNEY FIRE CALL THE FIRE DEPARTMENT IMMEDIATELY.

CHIMNEY MAINTENANCE - Creosote/Soot Formation and Need for Removal

When wood is burned slowly, it produces tar and other organic vapors which combine with ex-pelled moisture to form creosote. The creosote vapors condense in relatively cool chimney flue of a slow burning fire. As a result, creosote residue accumulates on the flue lining. When ignit-ed, this soot/creosote makes an extremely hot fire. The chimney and the chimney connector should be inspected at least twice monthly. If creosote/soot has accumulated, it should be removed. Failure to remove creosote/soot may cause a house or building fire. Creosote/soot may be removed by using chimney brush. Chimney fires burn very hot. If the chimney connector glows red, immediately call the fire department.

PROVIDE AIR INTO THE ROOM FOR PROPER COMBUSTION.

CAUTION: HOT WHILE IN OPERATION. KEEP CHILDREN, ANIMALS, CLOTHING AND FURNITURE AWAY FROM THE STOVE. DO NOT TOUCH HOT STOVE. CONTACT MAY CAUSE SKIN BURNS. TRAIN CHILDREN TO STAY A SAFE DISTANCE FROM THE UNIT. CHILDREN SHOULD BE ALL THE TIME CAREFULLY SUPERVISED WHEN THEY ARE IN THE SAME ROOM WITH THE STOVE.

CAUTION: NEVER USE CHEMICALS, GASOLINE, KEROSENE, CHARCOAL LIGHTER FLUID OR SIMILAR FLAMMABLE LIQUIDS TO START OR FRESHEN UP A FIRE IN THE STOVE. KEEP ALL FLAMMABLE LIQUIDS AWAY FROM THE STOVE-WHETHER IN USE OR IN STORAGE.

OPERATING SAFETY PRECAUTIONS

- 1. NEVER BUILD EXTREMELY LARGE FIRES IN THE STOVE AS DAMAGE TO THE STOVE OR SMOKE LEAKAGE MAY RESULT.**
- 2. NEVER OVERFIRE THIS STOVE BY BUILDING EXCESSIVELY HOT FIRES AS A HOUSE OR BULDING FIRE MAY RESULT. YOU ARE OVERFIRING THE STOVE IF STOVE OR STOVE PIPE BEGINS TO GLOW OR TURN RED.**
- 3. PROVIDE AIR INTO THE ROOM FOR PROPER COMBUSTION.**
- 4. USE SOLID NATURAL AIR DRIED (SEASONED) WOOD and COAL, only.**
- 5. INSPECT STOVE PIPES, CHIMNEY AND STOVE AT LEAST TWICE A MONTH AND CLEAN IF NECESSARY.**
- 6. WHILE IN OPERATION, KEEP THE FEED DOOR CLOSED ALL THE TIME, EXCEPT WHILE TENDING THE FIRE. ALWAYS OPEN DRAFT CONTROLLER BEFORE OPENING THE FEED DOOR.**

ABOUT DRAFT:

The principle of draft is that warm air rises. Your chimney provides draft which sucks the smoke up the chimney. The stove does NOT PUSH out the smoke. Your stove has been design and approved for use under normal conditions. Unacceptable smoking usually indicates poor draft in your chimney. Normal operating draft for this stove is 12 Pa +/- 2 Pa (0.04 w.c. - 0.055 w.c.). For draft above 15 Pa (0.06 w.c.) install a stovepipe damper. Gauges to measure draft are readily available at stove stores and are economical to rent or purchase.

Should you have a problem with inadequate draft, you should contact a licensed heating and cooling contractor for assistance in solving the problem.

PROBABLE CAUSES FOR SMOKING ARE:

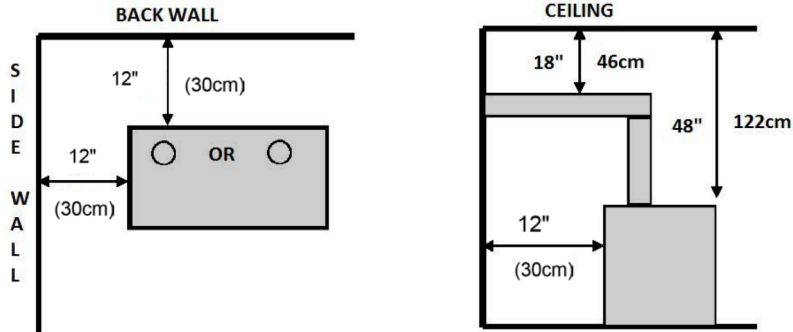
Insufficient chimney height above nearby obstructions.

Clogged or obstructed chimney system

Downdraft caused by nearby trees, hills, buildings, etc.

Negative draft. In a cold chimney, a cold air column rushing down the chimney can prevent stove start-up

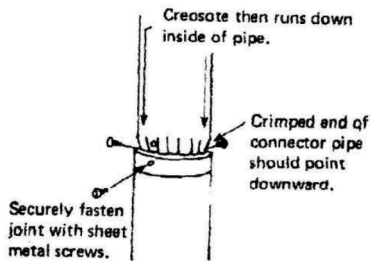
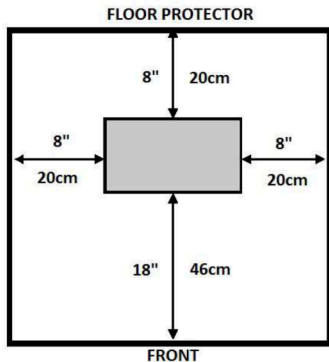
causing the stove or chimney pipe joins to smoke. SOLUTION: Open nearby window, and use small strips of newspaper or tinder loosely placed in the firebox that will pro-vide quick and hot heat up the chimney, thereby reversing draft.



SINGLE WALL PIPE-MINIMUM CLEARANCES FOR USA/CANADA

Some example of clearance reduction;

- Using heat shields on back and sidewalls allowing at least 1" of space away from the walls for ventilation. The inch spacing is necessary to ensure air circulation between the protection and the wall so that the wall is not subject to high temperatures. The spacer used must be non-combustible. Another method to achieve the same type of protection is using brick or masonry with 1" air space between the brick or masonry and the wall. When reducing distances, please check local codes and consult with professional installer.
- Using special interior double wall stove pipe can reduce distance.
- Protecting wall or ceiling adjacent to the pipe.
- Installing an approve 'pipe heat shield' onto the stove pipe.
- WARNING: Do not place stove to close to the shield. There should be enough space between for proper air ventilation.



RULES FOR INSTALLATION

The stove may not be positioned in the immediate vicinity of the wooden elements, parts made of plastic, textile and other flammable materials because during the operation (during the fuel combustion) it has high work temperature which is distributed on the outside of the stove. The smallest distance between the stove and surrounding elements should be 12"(30cm) (sideways and from the back side). Safe distance from the front side is 36"(92cm).

The stove may not be positioned in the immediate vicinity of the cooling equipment (refrigerators, freezers etc.).

In case that the load bearing capacity of the floor does not suit the stove weight, take cautionary measures to increase its load bearing capacity.

Moreover, if there is a flammable floor, a non flammable plate must be positioned between the floor and the stove and it must extend at least 46 cm(18") from the front and at least 20 cm(8") from the sides.

The stove is connected to the chimney with appropriate smoke pipes in order to provide an adequate tightness and flow of smoke from the stove to the chimney. The smoke pipe must not be too deeply positioned in the chimney in order not to reduce the surface of the cross cut and disturb the draft in the chimney.

CHIMNEY

Special attention should be drawn to the chimney quality which has to be manufactured according to standards. The maintenance of the chimney has to be regular. The stove is connected to the chimney through the fitting via appropriate smoke pipes, in order to provide the adequate tightness and the flow of smoke from the stove to the chimney. The smoke pipe must not be positioned too deep in the chimney in order not to disturb the draft in the chimney.

AIRFLOW

To ensure adequate stove operation, the draft in the stove chimney flue should be 12 ± 2 Pa. The lower value does not allow the proper combustion, and as the consequence there is the deposit of carbon and excess quantity of smoke which goes out through the grilles or the door. If the value of the airflow is too high, the combustion shall be too fast, and as the result the heat goes out through the chimney. In case of draft greater than 15 Pa, the chimney flue must be fitted with a damper.

The signs of bad airflow are:

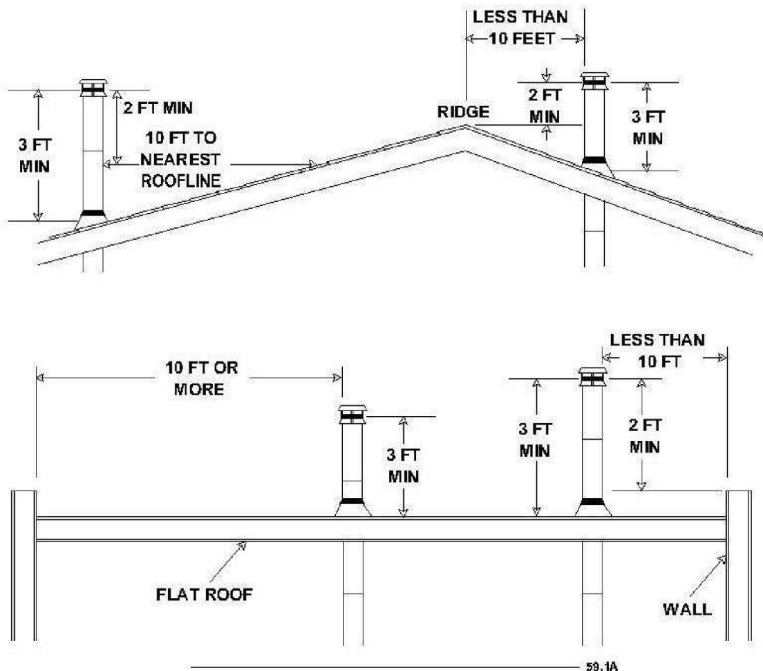
- Dirty glass, hot handle
- Smoke enters the room

Glass Care

Caution: Never operate the stove with a broken door glass. Never build the fire up against the glass.

Warning: Do not use any replacement glass other than the original "ceramic" glass manufactured and supplied for use in this cookstove.

Replacement glass is available from manufacturer or authorized dealer. Do not abuse glass door by striking or slamming it. Never clean hot glass. Never use abrasive cleaner. When necessary, the glass can be cleaned with low alkaline content commercial stove glass cleaners, which are available from your local dealer



The chimney guarantees the conveyance of the fumes outwards even when there are strong horizontal winds and stops them from being blown back down the chimney.

Bad maintenance of the chimney stops the smoke passage due to breakage or separation of cement mortar, brick or other material used for chimney construction, as well as due to product deposits combustion and intrusion of foreign objects.

Chimney must have sufficient heat insulation; otherwise it can lead to condensation.

The internal parts of the whole flue should have a smooth surface, and the material used should be chemically and thermally resistant to products of combustion.

In case of any problems connected with chimney, you should consult professionals and chimney sweepers.

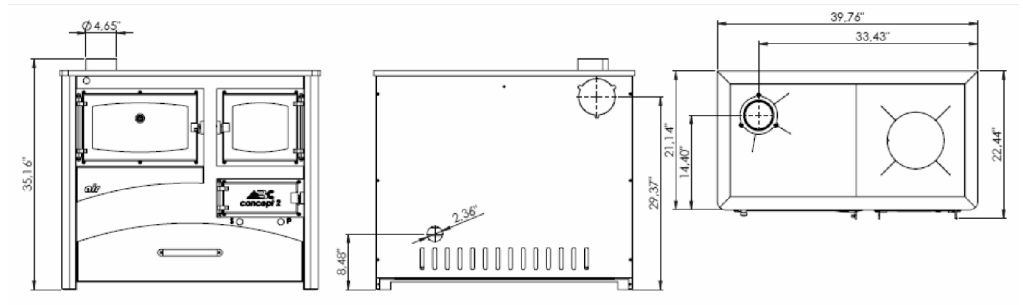
LIGHTING

Prior to the first stove lighting, it is necessary to wipe all stove surfaces with a dry cloth, remove dust, oil and impurities from the stove plate and the oven in order to avoid their combustion and occurrence of unpleasant odours and smoke.

The first time that the appliance is lit, there will be an unpleasant odour and smoke given off, especially from the stove plate surface, as well as from the other parts protected with a heat resistant paint. This is a normal occurrence because the paint stabilizes on temperatures above 250°C during the first lighting. A good ventilation of the room where the stove is located must be ensured.

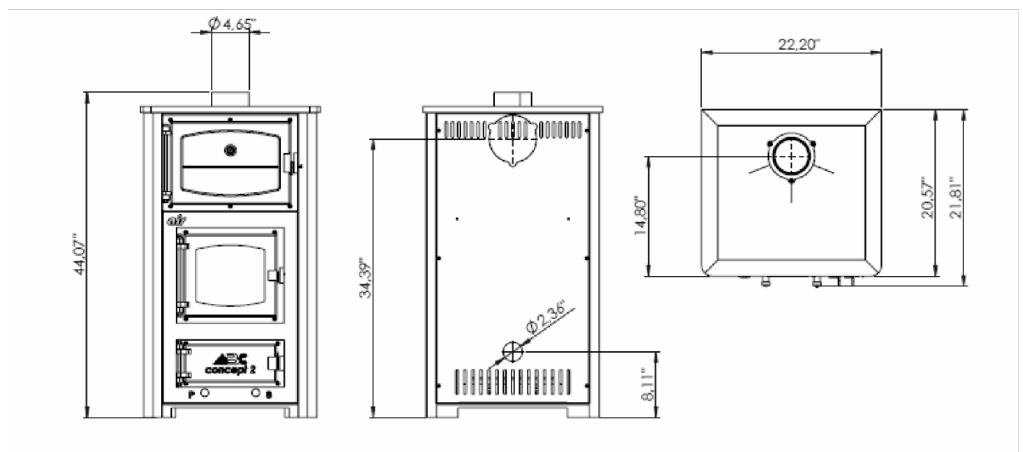
The position and size of connections

Concept 2 Air



(Fig. 1)

Concept 2 Mini Air



(Fig. 2)

11. WARRANTY

The company „**ABC PROIZVOD**“ doo,
Užice grants a five years warranty for the stove *Concept 2 air*.

Ceramic parts (chamotte and vermiculite plates) are exempted from the five year warranty. In their case, the manufacturer grants a two year warranty.

Warranty rules are defined in a separate document, called *WARRANTY CERTIFICATE*, which is certified by the seller and handed to the customer together with the product.

Dear buyers, if you are not satisfied with working order of the stove ***Concept 2 air***, we beg you to check the following before contacting us in order to request on-site service:

1. Did you install the stove ***Concept 2 air correctly***, according to the use instructions? That includes:
 - Selection of the stove power in relation to its calculated heating capacity;
 - height, cross-section, isolation and positioning of the chimney above the roof;
 - proper connection of the stove ***Concept 2 air*** to the chimney through the flue pipe.
2. Did you observed the prescribed method for heating and keeping the temperature? That includes:
 - correct choice of fuel;
 - regulating the primary and secondary drafts;
 - regulation of the path of flue gases;
 - mandatory closing of the doors of the firebox and the ash chamber
3. Do you give proper maintenance to the stove ***Concept 2 air***, by removing soot and tar from the stove, flue pipe and chimney?
4. Did you carry out any repairs on the stove ***Concept 2 air*** by your own initiative?

All the aforementioned situations make affect the validity of the warranty, exposing you to unnecessary costs in the event that our service personnel will visit you without justification.

CONSUMABLES

The following are considered consumables and therefore not covered by the warranty: all gaskets, glass parts, the paints, the ceramics and the parts with chemical coating (chrome, nickel, zinc parts). The warranty does not cover damages caused by improper installation, incorrect connection not in compliance with the instructions which accompany the product, or by tempering by unqualified or unauthorized personnel.

WHAT TO DO IF YOU DO NOT INTEND TO USE THE STOVE FOR AN EXTENDED PERIOD

First, clean the hearth, the smoke pipes and the flue, trying to eliminate completely the ash and other residuals. In case you disconnect the appliance from the chimney, close its opening in order to allow operation of other possible appliances connected to the same flue. The cleaning of the flue should be done at least once a year.

FIRE SAFETY

During the installation of the stove the following safety measures are to be followed:

1) In order to ensure sufficient thermal insulation, respect the minimum safety distance from objects or furniture components which are flammable and sensitive to heat (furniture, wood, fabrics etc.) and from materials with flammable structure.

All the minimum safety distances are shown on the product data plate and lower values MUST NOT be used.

2) Do not place armchairs, seats, curtains or any flammable object within **100cm(40")** in front of the stove as well as within 12"(30cm) on the sides.

3) No flammable components must be present above the product.

4) Moreover, if there is a flammable floor, it must be protected by an insulating plate (steel, brass, marble, stone, etc.), which extends at least **46cm(18")** from the front and at least **20cm(8")** from the sides.

Warn children of the danger and keep them away during the operation of the stove.

The use of a wrong or wet fuel causes the formation of creosote deposits in the flue and will fuel a chimney fire.

WHAT TO DO IF YOUR STOVE DOES NOT OPERATE AS INDICATED

Difficulties during operation

- Check whether the chimney entrance is made adequately.
- Check whether the chimney dimensions are correct and suitable for the device.
- Check the thermic insulation of the chimney and if it is made according to standard.
- The hearth door must be closed properly,
- Check if the draft is in the allowed limitations.

Ignition difficulties

- Open the primary air and smoke control.
- Use dry wood.
- Ventilate the room to obtain sufficient quantity of oxygen.
- The chimney must be adapted to the device for which it is used.

Smoke coming out

- Check if the primary air control is opened.
- Check whether there is leaking on the chimney entrance.
- Check if there are any obstacles from ashes and other remains.
- Check the airflow.
- Check the draft in the chimney.

Glass getting dirty

- Wet wood: use dry wood (with max 20 % moisture)
- Wrong fuel (see allowed materials)
- Too much fuel in the hearth or the wood touches the glass
- Insufficient air flow (see connecting the chimney)
- Wrong regulation: if the secondary regulator is closed, the glass gets dirty after short time.

Condensation

- During first few ignitions, condensation is normal.
- If the problem lasts, check the wood you use; it must not be wet or poorly dried.
- The chimney must not have any defects or cool the gas flow too quickly.

Important: The stove has been made from materials which are NOT harmful for health.

GENERAL NOTES

If all recommendations for installation, regulation of operation and cleaning have been respected, the stove represents a safe domestic appliance.

In case of any problems, please contact the producer or distributor by telephone or in written form. Contact data are given at the end of this instruction.

Any defect on the stove shall be removed by the authorized service.

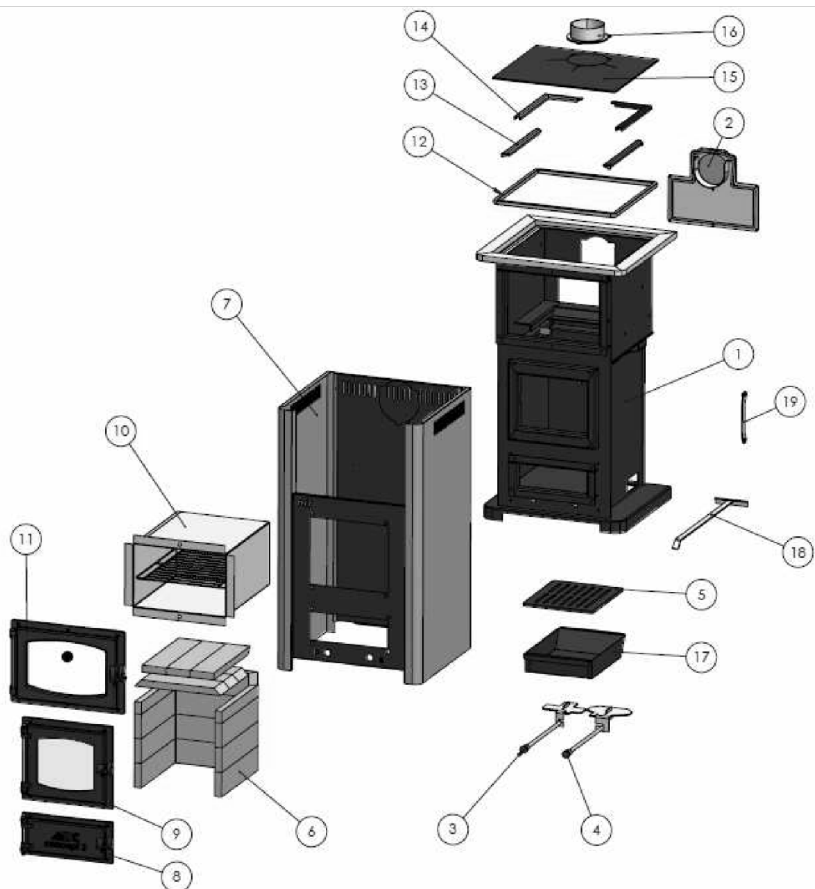
If an unauthorized person performs service or any changes on the stove, the owner of the stove loses the right for the service provided by the manufacturer's warranty.

The supply of spare parts is performed exclusively through the factory service, based on the positions and pictures in this instruction and their names.

The manufacturer is not liable if the buyer does not respect the installation and operation manual.

The manufacturer reserves the right to make modifications in appearance, dimensions and the model without the previous notice.

CONCEPT 2 MINI AIR



Parts Concept 2 Mini Air

ITEM NO:	Part Number	Description	PCS
1	S0497	The body of the stove	1
2	S0493	Cover of the cleaning	1
3	S0310	Primary airflow regulator	1
4	S0309	Secondary airflow regulator	1
5	P01601	Firebox grate	1
6	S0501	Firebrick	1
7	S0466	Paneling	1
8	S0442	Ashtray door with frame	1
9	S0446	Firebox door with frame	1
10	S0453	Oven with grid	1
11	S0396	Oven door with frame	1
12	P01514	Sealing of cooking surface	1
13	P01618	Bulkhead of flue gases, lower	2
14	S0462	Bulkhead of flue gases, lipper	2
15	S0460	Cooking surface	1
16	S0397	Connection for stovepipe	1
17	S0395	Ashtray	1
18	S0288	Cleaning accessory	1
19	S0412	Door handle	1

Parts Concept 2 Air

Item No.	Part Number	Description
1	P01003	Left side revetment
2	P01004	Right side revetment
3	P01003 inox	Left side pole
4	P01004 inox	Right side pole
5	P01002	Front revetment
6	P01005	Rear revetment
7	S0282	Wood box
8	S0321	Face plate
9	P01033	Vermikulit plate
10	P00636	Chamotte plate 1
11	P00934	Side chamotte ploča 2
12	P00637	Chamotte plate 3
13	P01008	Cleaning hole
14	P00933	Front chamotte plate
15	P00928	Cast iron grid
16	S0300	Oven
17	S0030	Oven grid
18	S0303	Flap
19	S0341	Fire door
20	S0278	Oven door
21	S0406	Ashtray door
22	P01240	Fire door glass
23	P01204	Oven door glass
24		Oven thermometer
25		Ashtray door seal
26		Fire door seal
27		Oven door seal
28	S010012	Demountable door handle
29	P01241	Door shutter
30	S0317	Plate over firebox
31	S0318	Plate over oven
32	S0316	Decorative frame around plates
33		Plates seal
34		Wood box bearing with axle
35	S0289	Firebox
36	S0310	Primary air regulation
37	S0309	Secondary air regulation
38	S0301	Exhaust pipe

ABC Proizvod
M. Obrenovića 2
Užice, Serbia
www.abcprouzvod.rs
Made in Serbia

Made in Serbia
Imported and Distributed by:
Sopka Inc., USA
216-543-7002
www.sopkainc.com
contact@sopkainc.com

Tested to:
UL 1482, ULC-S627
Tested to:
EN 12815: 2001

Listed and Labeled by:
Guardian Fire Testing Laboratory



- Solid Fuel Cook Stove - For Use with Solid Wood Fuel only

Model Modèle	<input type="checkbox"/> Concept 2 Air <input type="checkbox"/> Concept 2 mini Air	Date of manufacture Date de fabrication	Month Mois	Year Année	Serial No. N° de série
-----------------	---	--	---------------	---------------	---------------------------

TO PREVENT HOUSE FIRES:

Contact local building or fire officials about restrictions and installation inspection in your area.

Install and use only in accordance with manufacturer's installation and operating instructions and local codes.

In the absence of any local codes, installation must meet minimum requirements of NFPA 211 in the USA, and B365 in Canada.

Refer to manufacturer's instructions and local codes for precautions required for passing a chimney through a combustible wall or ceiling.

Inspect and clean chimney system frequently in accordance with manufacturer's instruction.

Do not connect this stove to a chimney flue serving another appliance.

Do not use grate or elevate fire. Build wood fire directly on hearth. Flue connector pipe must be 6" diameter, minimum single wall 24 msg

black or 25 msg blued steel.

Chimney must be factory built 6" diameter Class,"A" 103 Type HT, or masonry.

TO PREVENT CREOSOTE FIRES:

Inspect and clean chimney frequently - under certain conditions of use, creosote buildup may occur rapidly. Do not use other fuels than firewood.

CAUTION: Fully open combustion air control before opening the fuel feed door. Only operate the wood heater with the doors closed.

Replace fire box glass only with original "Ceramic" glass available from manufacturer or authorized dealer, only.

POUR EVITER LES INCENDIES DOMESTIQUES:

Contactez les Autorités des bâtiments et les pompiers pour obtenir des instructions concernant les restrictions et inspections d'installation dans votre région. Installez et utilisez cet appareil uniquement en respectant les instructions d'installation et d'utilisation du fabricant. Respectez également les réglementations locales. En l'absence de réglementations locales, l'installation doit respecter les normes minimales de NFPA 211 aux Etats-Unis et B365 au Canada.

Référez-vous aux instructions du fabricant aux réglementations locales pour obtenir des instructions concernant les précautions nécessaires pour le passage de la cheminée à travers une paroi ou un plafond combustible. Inspectez et nettoyez le système de cheminée fréquemment selon les instructions du fabricant.

Ne connectez pas ce poêle à un conduit de cheminée utilisé par un autre appareil. N'utilisez pas de grille et ne faites pas monter le feu. Établissez le feu de bois directement dans l'âtre. Le tuyau de connexion au conduit doit avoir un diamètre de 6" (152 mm), une paroi unique en acier de 24 msg (noir) ou 25 msg (bleu).

Référez-vous aux instructions du fabricant aux réglementations locales pour obtenir des instructions concernant les précautions nécessaires pour le passage de la cheminée à travers une paroi ou un plafond combustible. Inspectez et nettoyez le système de cheminée fréquemment selon les instructions du fabricant.

Ne connectez pas ce poêle à un conduit de cheminée utilisé par un autre appareil. N'utilisez pas de grille et ne faites pas monter le feu. Établissez le feu de bois directement dans l'âtre. Le tuyau de connexion au conduit doit avoir un diamètre de 6" (152 mm), une paroi unique en acier de 24 msg (noir) ou 25 msg (bleu).

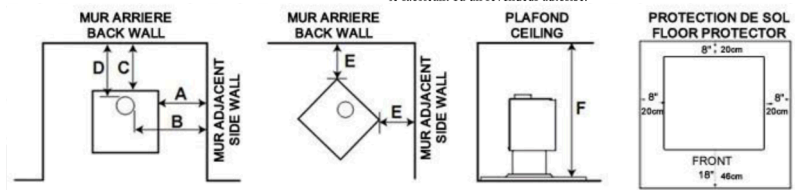
Le matériau de la cheminée doit être 103HT de classe A de 6" (152 mm) ou une construction en dur.

Le matériau de la cheminée doit être 103HT de classe A de 6" (152 mm) ou une construction en dur.

POUR EVITER LES FEUX DE CREOSOTE:

Inspectez et nettoyez la cheminée régulièrement - Sous certaines condition d'emploi, la créosote peut s'accumuler rapidement. Ne pas utiliser d'autres combustibles que le bois.

ATTENTION: Ouvrez complètement le contrôle d'air de combustion avant d'ouvrir la porte du foyer. N'utilisez le poêle que lorsque les portes sont fermées. Remplacez la vitre du foyer de feu seulement par une vitre en "céramique" d'origine, fourniquement, par le fabricant ou un revendeur autorisé.



Parallel & Corner	A	B	C	D	E	F
Single Wall Connector	12" (30cm)	18" (46cm)	12" (30cm)	18" (46cm)	12" (30 cm)	84" (213 cm)
Double Wall Connector	12" (30cm)	12" (30cm)	12" (30cm)	12" (30cm)	12" (30 cm)	84" (213 cm)

Floor / Ember protector minimum size: Concept 2 Air 56" x 47" (142cm x 120cm); Concept 2 mini Air 39" x 47" (98cm x 120cm).

Clearances can be reduced with shielding acceptable to local authorities. Reduced installation must comply with NFPA 211 or CAN/CSA-B365.



CAUTION
HOT WHILE IN OPERATION - DO NOT TOUCH.
KEEP CHILDREN AND CLOTHING AWAY.
CONTACT MAY CAUSE SKIN BURNS. SEE NAMEPLATE AND INSTRUCTIONS. KEEP FURNISHINGS AND OTHER COMBUSTIBLE MATERIALS A CONSIDERABLE DISTANCE AWAY FROM THE APPLIANCE.
DO NOT OVERFIRE - IF HEATER OR CHIMNEY CONNECTOR GLOWS, YOU ARE OVERFIRING.

ATTENTION
CHAUD PENDANT LE FONCTIONNEMENT - NE PAS TOUCHER. TENIR ELOIGNES LES ENFANTS ET LES VETEMENTS - LE CONTACT PEU CAUSER DES BRULURES. CONSULTEZ LA PLAQUE D'IMMATRICULATION ET LES INSTRUCTIONS. TENIR LES FOURNITURES ET AUTRES MATIERES COMBUSTIBLES A DISTANCE DE L'APPAREIL.
EVITER DE SURCHAUFFER - SI LE FEU OU LA CHEMINE DEVIENT ROUGE, VOUS SURCHAUFFEZ.

DO NOT REMOVE THIS LABEL / NE PAS ENLEVER CETTE ETIQUETTE



ABC PROIZVOD Ltd.
Miloš Obrenović street, 2, 31000 Užice, Serbia
telephones: +381 (0)31 514 501. 514 502
e-mail: office@abcproizvod.rs
www.abcproizvod.rs